



**RK ROSE+KRIEGER**

A Phoenix Mecano Company

*We like this mess...*

*...but here we prefer it  
well organised*



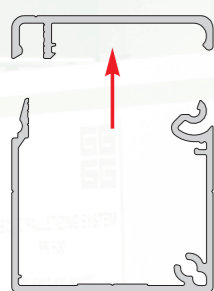
**New!**

**BLOCAN<sup>®</sup>**  
**Cable channel systems**

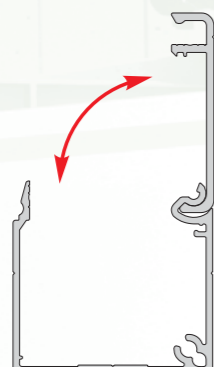
## Channel functionality

- ✓ Aluminium cable channel in the sizes 40x40, 40x80 and 80x40
- ✓ smooth and scratch resistant easy to clean anodized surface

### Easy to open / excellent accessibility

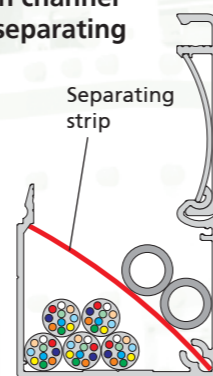


Lift cover to open,



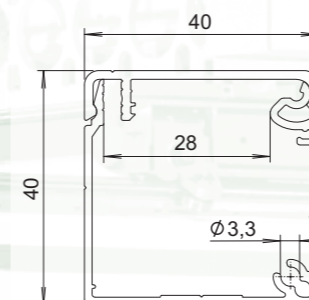
or flipped via pivot point.

### Arrangement in channel with optional separating strips

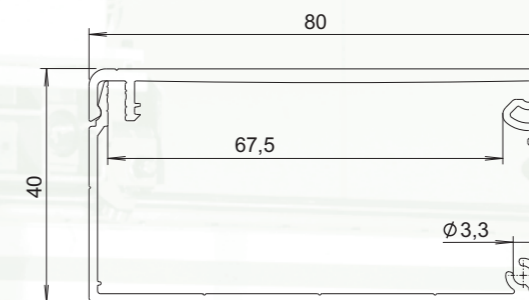


Separating strip

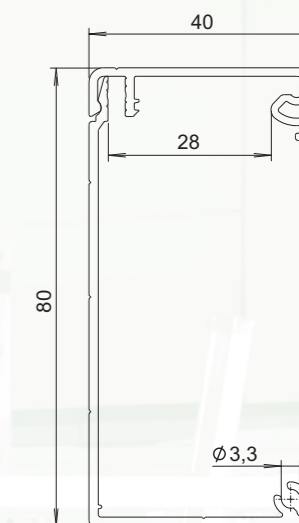
## The cable channel profiles



Profile KK-40x40



Profile KK-80x40

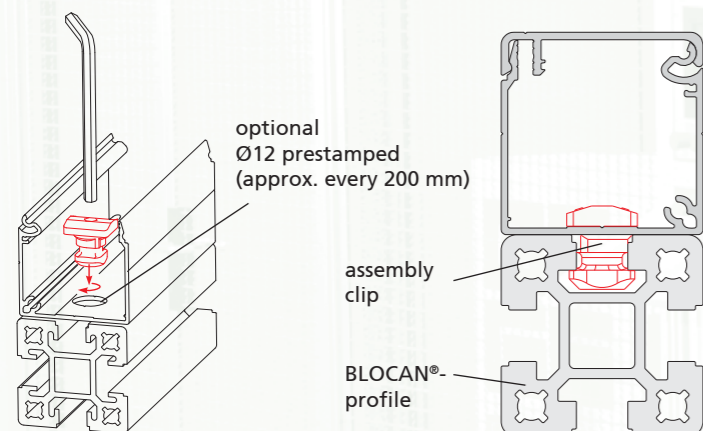


Profile KK-40x80

Code No.	Profile	Type	Weight
4E15A01	KK-40x40, bar 6 m	Channel with fixing holes	0,745 kg/m
4E15A00	KK-40x40, cut to required length		
4E15001	KK-40x40, bar 6 m	Channel without fixing holes	0,747 kg/m
4E15000	KK-40x40, cut to required length		
4E25A01	KK-80x40, bar 6 m	Channel with fixing holes	1,290 kg/m
4E25A00	KK-80x40, cut to required length		
4E25001	KK-80x40, bar 6 m	Channel without fixing holes	1,292 kg/m
4E25000	KK-80x40, cut to required length		
4E35A01	KK-40x80, bar 6 m	Channel with fixing holes	1,152 kg/m
4E35A00	KK-40x80, cut to required length		
4E35001	KK-40x80, bar 6 m	Channel without fixing holes	1,155 kg/m
4E35000	KK-40x80, cut to required length		

## Assembling channel

### Easy assembly (no profile drilling) with BLOCAN-profiles

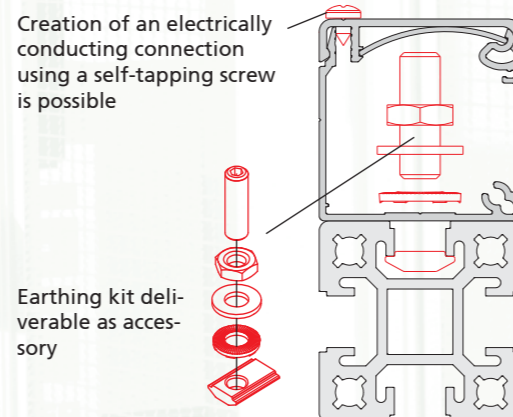


optional Ø12 pre-stamped (approx. every 200 mm)

assembly clip

BLOCAN®-profile

### Potential equalisation / Earthing

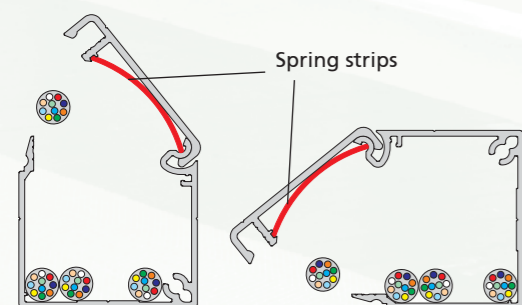


Creation of an electrically conducting connection using a self-tapping screw is possible

Earthing kit deliverable as accessory

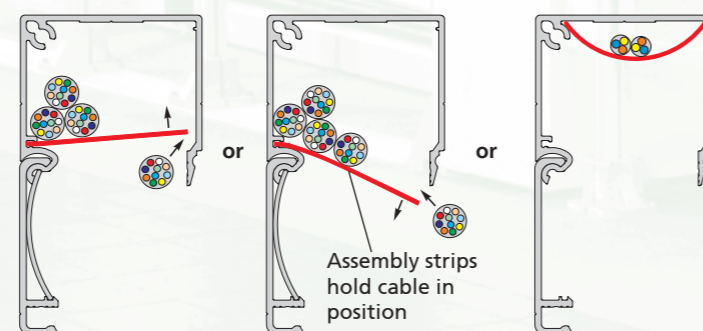
## Cable arrangement

### Insertable spring strips hold cover in position



Spring strips

### Assembly strip eases overhead assembly



Assembly strips hold cable in position

## Accessories

### Spring strips for cover

Code No. (40x40, 40x80) 4E18504  
Code No. (80x40) 4E28501

Material: PVC  
Rec. quantity: 5 pcs./m  
PU 10 pcs.



### Channel assembly clip

Code No. 4E18503

Material: PA-GF30  
PU 10 pcs.



### Cover plate

Code No. (40x40) 4E15501  
Code No. (40x80, 80x40) 4E25501

Material: Aluminium, natural anodized  
Thickness 1,5 mm  
PU 6 pcs. (incl. retaining material)



### End cover for cable outlet

Code No. (40x40) 4E15502  
Code No. (40x80, 80x40) 4E25502

Material: Aluminium, natural anodized  
Thickness 1,5 mm  
Hole Ø 25 mm  
PU 6 pcs. (incl. retaining material)



### Grommet for cable outlet

Code No. 4E18505

Material: Z-PVC  
Opening Ø 22 mm  
PU 6 pcs.



### Membrane grommet for cable outlet

Code No. 4E18502

Material: Z-PVC  
PU 6 pcs.



### Separating strip

Code No. (40x40) 4E18506  
Code No. (40x80, 80x40) 4E28502

Material: PVC  
PU 10 pcs.



### Edge protection for cut-outs and profile ends

Code No. 4E18501

Material: PVC, grey 1 pc. per 1 m



### Assembly strip

Code No. (40x40, 40x80) 4E18507  
Code No. (80x40) 4E28503

Material: PVC  
PU 10 pcs.



### Earthing kit

Code No. 4E16502  
Scope of delivery: 1 complete unit (screw, slot nut, washers)

### Self-tapping screw (DIN7981 3.5x6.5)

Code No. 4E16501  
PU 12 pcs.

**R** RENOWNED  
KNOW-HOW

**LINEAR-  
PROFILE-  
CONNECTING-  
MODULE-  
TECHNOLOGY**



## FAX reply

Yes, I am interested in the BLOCAN® profile system. Please:

send me the full BLOCAN catalogue

send me a CD-ROM of the entire range in PDF format

contact me

Company: \_\_\_\_\_

Contact: \_\_\_\_\_

Department: \_\_\_\_\_

Address: \_\_\_\_\_

Tel. + Fax: \_\_\_\_\_

E-Mail: \_\_\_\_\_



**RK ROSE+KRIEGER**

assembly and positioning systems

RK Rose+Krieger GmbH  
Postfach 15 64  
32375 Minden  
Telefon: +49 5 71 93 35-0  
Telefax: +49 5 71 93 35-119  
E-Mail: info@rk-online.de  
Internet: www.rk-rose-krieger.com